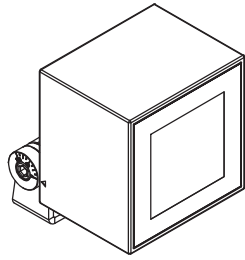


BOX 10

Installation Manual



1



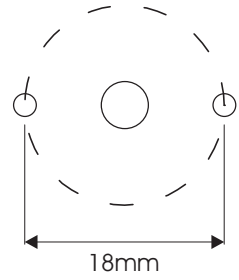
Attention

Switch off power at the mains.

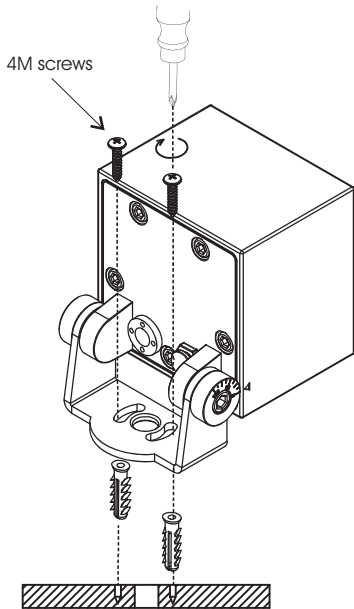
ON



OFF



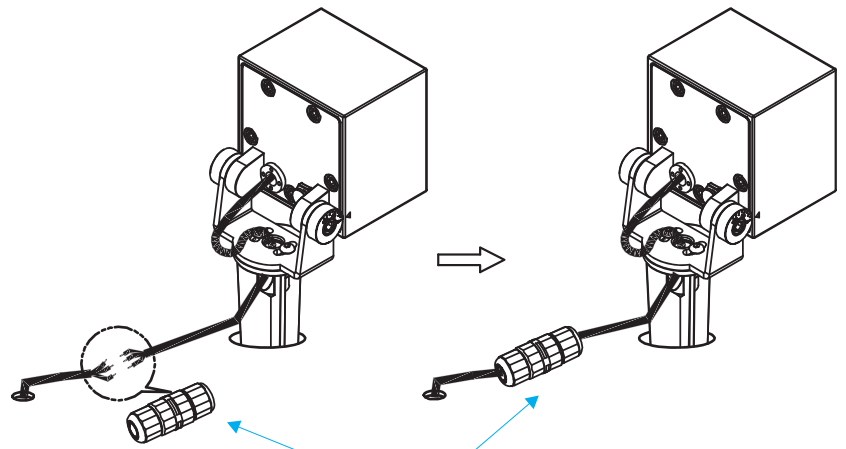
2



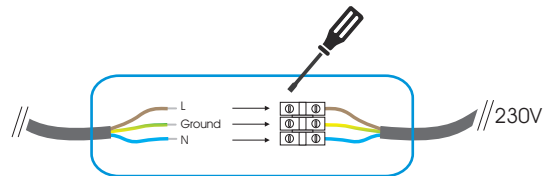
Plastic Spike



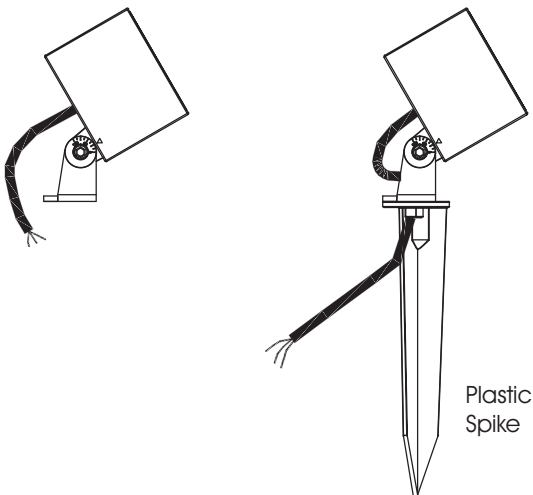
3



For cable connection you must use IP67/IP68 connectors or junction box.

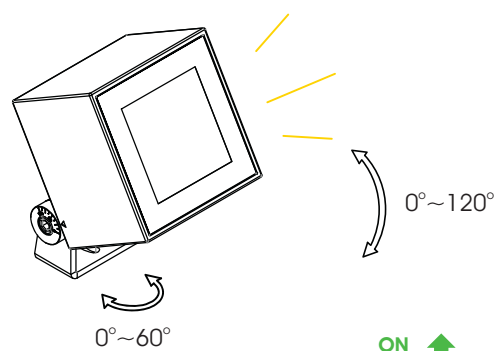


4



Plastic Spike

5



0°~120°

0°~60°



OFF



ELECTRON

ELECTRON SA, PROFESSIONAL LIGHTING SYSTEMS

68 Antiochias Str, N. Philadelphia, 143 41 Athens, Greece, Tel. +30 210 2584240, Fax. +30 210 2584245, info@electron.gr, www.electron.gr